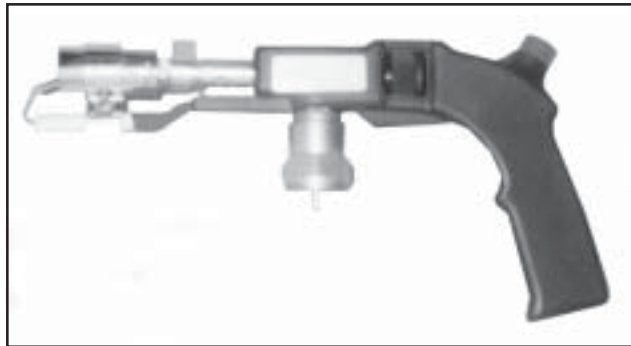


BLOW TORCH WITH PIEZO START

MODEL 91061

ASSEMBLY AND OPERATING INSTRUCTIONS



3491 Mission Oaks Blvd., Camarillo, CA 93011
Visit our Web site at <http://www.harborfreight.com>

Copyright © 2003 by Harbor Freight Tools®. All rights reserved. No portion of this manual or any artwork contained herein may be reproduced in any shape or form without the express written consent of Harbor Freight Tools.

For technical questions, please call 1-800-444-3353.

PRODUCT SPECIFICATIONS

Item	Description
Product Compatibility	Designed for use with Standard 16.4 Oz. (465 g) (1.02 Lb.) Propane Bottles.
Heat Output	3200° Fahrenheit.
Features	Electronic Start. Adjustable Gas Flow Thumb Wheel. 3-1/4" Long Brass Valve.
General Application	For Sweating and Thawing Pipes, Soldering, and Burning Weeds; (example: Weeds on the side of a driveway; only use in a well controlled safe environment). Always have a fire extinguisher present.
Overall Length	9-5/8".
Weight	0.85 Pounds.

SAVE THIS MANUAL

You will need this manual for the safety warnings and precautions, assembly, operating, inspection, maintenance and cleaning procedures, parts list and assembly diagram. Keep your invoice with this manual. Write the invoice number on the inside of the front cover. Keep this manual and invoice in a safe and dry place for future reference.

GENERAL SAFETY WARNINGS AND PRECAUTIONS

1. **Keep work area clean and dry.** Cluttered, damp, or wet work areas invite injuries.
2. **Keep children away from work area.** Do not allow children to handle this product.
3. **Store idle equipment.** When not in use, tools and equipment should be stored in a dry location to inhibit rust. Always lock up tools and equipment, and keep out of reach of children.
4. **Do not use this product if under the influence of alcohol or drugs.** Read warning labels on prescriptions to determine if your judgement or reflexes

are impaired while taking drugs. If there is any doubt, do not attempt to use this product.

5. **Use eye and hand protection.** Wear ANSI approved safety impact eye goggles and flame retardant gloves and clothing when using this product. ANSI approved safety impact eye goggles and flame retardant gloves are available from Harbor Freight Tools. Always wear heavyduty leather work shoes.
6. **Dress safely.** Do not wear loose clothing or jewelry, as they can become caught in moving parts or come in contact with open flames. Wear a protective hair covering to prevent long hair from becoming caught in moving parts or coming in contact with open flames.
7. **Do not overreach.** Keep proper footing and balance at all times to prevent tripping, falling, back injury, etc.
8. **Industrial applications must follow OSHA requirements.**
9. **Stay alert.** Watch what you are doing at all times. Use common sense. Do not use this product when you are tired or distracted from the job at hand.
10. **Check for damaged parts.** Before using this product, carefully check that it will operate properly and perform its intended function. Check for damaged parts and any other conditions that may affect the operation of this product. Replace or repair damaged or worn parts immediately.
11. **Replacement parts and accessories:** When servicing, use only identical replacement parts. Only use accessories intended for use with this product. Approved accessories are available from Harbor Freight Tools.
12. **Maintain this product with care.** Keep this product clean and dry for better and safer performance. For your safety, service and maintenance should be performed regularly by a qualified technician.
13. **Use the right tool for the job.** Do not attempt to force a small tool to do the work of a larger industrial tool. There are certain applications for which this tool was designed. It will do the job better and more safely at the capacity for which it was intended. Do not modify this tool, and do not use this tool for a purpose for which it was not intended.
14. **WARNING!** The warnings, precautions, and instructions discussed in this manual cannot cover all possible conditions and situations that may occur. The operator must understand that common sense and caution are factors, which cannot be built into this product, but must be supplied by the operator.

SPECIFIC PRODUCT WARNINGS AND PRECAUTIONS

1. **Maintain a safe working environment.** Keep the work area well lit. Make sure there is adequate surrounding work space. Always keep the area free of obstructions, grease, oil, trash, and other debris. Do not use the Blow Torch in areas near flammable chemicals, dusts, and vapors. Be aware of wind blown sparks. Do not use the Blow Torch around or near buildings and structures.
2. **The Blow Torch is for outdoor use only. Use the Blow Torch only in well ventilated areas.** Inhalation of propane fumes may result in carbon monoxide poisoning, injury and/or death.
3. **Before each use, always check all propane connections and joints to make sure no leaks are present.**
4. **If while using the Blow Torch you notice the odor of propane, immediately shut off the propane fueling the Torch.** Extinguish all open flames, and carefully check for leaks by using soapy water. Never use a flame to check for leaks. If the odor continues, do not use the Torch. Call your local propane supplier for assistance.
5. **Propane fuel is extremely flammable and under pressure.** Do not store propane fuel in temperatures exceeding 120 degrees fahrenheit. Keep the propane cylinder upright when using and storing. Never puncture or set fire to an empty propane cylinder. Contact local solid waste authorities for instructions on correct disposal or recycling of a propane cylinder.
6. **Do not aim the Blow Torch's Burner (1) at yourself, others, or animals.** Keep spectators clear of the work area.
7. **Maintain a firm grip with both hands on the Blow Torch while in use.**
8. **Never reach across the Blow Torch while in use.** Be aware that parts of the Blow Torch become extremely hot during operation.
9. **Always allow sufficient time for the Blow Torch to completely cool down before storing. Do not store flammable liquids or materials in the area surrounding the Blow Torch.**
10. **Maintain labels and nameplates on the Blow Torch.** These carry important information. If unreadable or missing, contact Harbor Freight Tools for a replacement.

11. **Never use gasoline, kerosene, or other highly volatile fluids as a starter as they can explode.**
12. **Dress safely.** Do not wear loose clothing such as hanging shirt tails and coats. Wear a protective hair covering to keep long hair away from heat and flames. Use ANSI approved safety impact goggles and flame retardant gloves and clothing to avoid burns.
13. **Never leave the Blow Torch unattended once it is lit.**
14. **Keep a fire extinguisher handy.** Always keep a commercial fire extinguisher nearby the Blow Torch in case of accidental fire.
15. **Do not clean the Blow Torch with cleaners that are combustible or corrosive.**
16. **Do not paint any part of the Blow Torch.**
17. **Make sure the Thumb Wheel (7) is turned to its “OFF” position and the propane tank (not included) is removed when the Blow Torch is not in use.**
18. **Do not use the Blow Torch in the rain.**
19. **Never smoke while using the Blow Torch.** Make sure all surrounding flames are extinguished.
20. **Never use a propane tank if it shows signs of:** Dents, corrosion, gouges, bulges, fire damage, leakage, excessive rust, or any other form of visual external damage.
21. **When work is complete, only set the Blow Torch on a non-flammable surface like concrete, until the tool is completely cool to the touch.**
22. **WARNING!** The brass components of this product contain lead, a chemical known to the State of California to cause birth defects (or other reproductive harm). (*California Health & Safety Code 25249.5, et seq.*)
23. **WARNING!** This product, when used with propane fuel, produces chemicals known to the State of California to cause cancer and birth defects (or other repro-

UNPACKING

When unpacking, check to make sure all the parts shown on the **Parts List (page 8)** are included. If any parts are missing or broken, please call Harbor Freight Tools at the number shown on the cover of this manual as soon as possible.

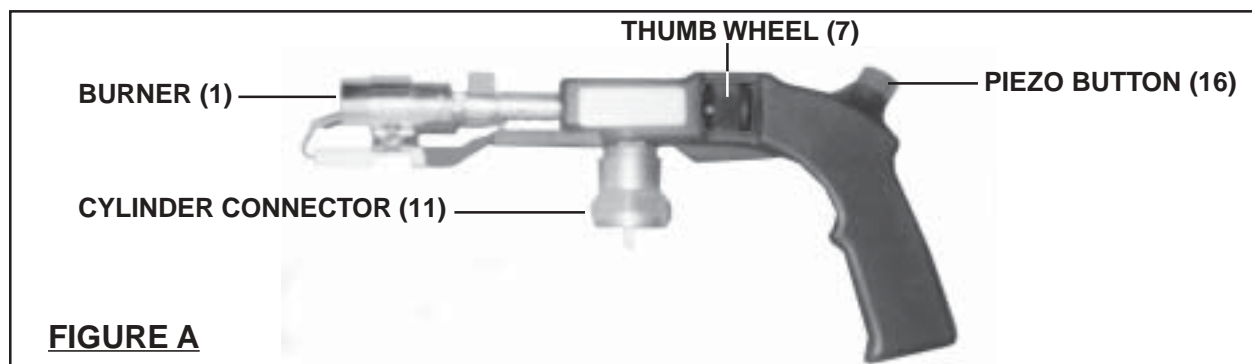
PRODUCT FEATURES

1. The Blow Torch is ideal for sweating and thawing pipes, soldering, and burning weeds in a well controlled safe environment. In addition, the Blow Torch easily attaches to standard 16.4 Oz. (465 g) (1.02 Lb.) propane tanks.

ASSEMBLY AND OPERATING INSTRUCTIONS

NOTE: For additional references to the parts listed in the following pages, refer to the **Assembly Diagram (page 8)**.

1. Make sure the Thumb Wheel (7) is turned completely clockwise to the “OFF” position. **(See Figure A.)**
2. Screw the 16.4 ounce propane bottle (not included) tightly onto the Cylinder Connector (11). Do not remove the propane bottle until it is completely empty.
3. The Thumb Wheel (7) regulates the propane gas flow. Release the propane gas flow by **slightly** turning the Hand Wheel counterclockwise. **(See Figure A.)**
4. Make sure the Burner (1) is pointing in a safe direction and, with the Blow Torch in a vertical position, push the Piezo Button (16) to activate the electric start. It may be necessary to push the Piezo Button several times to activate the flame. **(See Figure A.)**
5. Adjust the flame to the desired level by turning the Thumb Wheel (7) counterclockwise. **(See Figure A.)**
6. **NOTE:** The lit Blow Torch should operate with a blue flame with a small yellow tip. If necessary, adjust the Thumb Wheel (7) if there is sputtering or popping. **(See Figure A.)**



7. To extinguish the flame, close the Thumb Wheel (7) by turning it completely clockwise. **(See Figure A.)**
8. Allow sufficient time for the Blow Torch to completely cool. Then, store the Blow Torch in a safe location and out of reach of children.

INSPECTION, MAINTENANCE, AND CLEANING

1. **Before each use**, inspect the general condition of the Blow Torch. Check the Blow Torch for loose connections and joints, cracked, bent, or broken parts, damaged propane bottle, and any other condition that may affect the safe operation of the Blow Torch. If a problem occurs, have the problem corrected before further use. **Do not use damaged equipment.**
2. **When cleaning**, use only water and a mild detergent. Do not use cleaners that are combustible or corrosive.
3. **When storing**, always allow sufficient time for the Blow Torch to completely cool down before storing. Do not store flammable liquids or materials in the area surrounding the Blow Torch. Make sure the Blow Torch's Thumb Wheel (7) is in its "OFF" position.

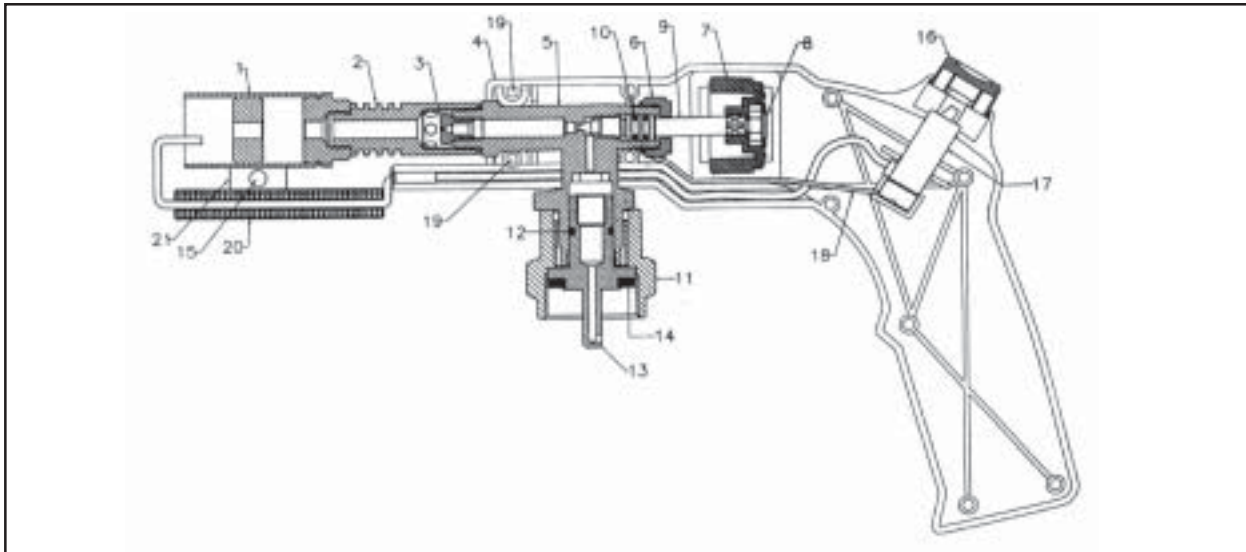
PLEASE READ THE FOLLOWING CAREFULLY

THE MANUFACTURER AND/OR DISTRIBUTOR HAS PROVIDED THE PARTS LIST AND ASSEMBLY DIAGRAM IN THIS MANUAL AS A REFERENCE TOOL ONLY. NEITHER THE MANUFACTURER OR DISTRIBUTOR MAKES ANY REPRESENTATION OR WARRANTY OF ANY KIND TO THE BUYER THAT HE OR SHE IS QUALIFIED TO MAKE ANY REPAIRS TO THE PRODUCT, OR THAT HE OR SHE IS QUALIFIED TO REPLACE ANY PARTS OF THE PRODUCT. IN FACT, THE MANUFACTURER AND/OR DISTRIBUTOR EXPRESSLY STATES THAT ALL REPAIRS AND PARTS REPLACEMENTS SHOULD BE UNDERTAKEN BY CERTIFIED AND LICENSED TECHNICIANS, AND NOT BY THE BUYER. THE BUYER ASSUMES ALL RISK AND LIABILITY ARISING OUT OF HIS OR HER REPAIRS TO THE ORIGINAL PRODUCT OR REPLACEMENT PARTS THERETO, OR ARISING OUT OF HIS OR HER INSTALLATION OF REPLACEMENT PARTS THERETO.

PARTS LIST

Part #	Description
1	Burner (020 Piezo)
2	Gas-Air Mixer (014 x 40)
3	Nozzle (00.28)
4	Handle
5	Body Tap
6	Nut Key 14 Needle Stop
7	Thumb Wheel
8	Nut (M4)
9	Needle
10	O-Ring (102)
11	Cylinder Connector
12	O-Ring (108)
13	Gas Intake
14	Gasket (022 x 2.5)
15	Screw, and Nut (M4)
16	Piezo Button
17	Piezo Ignition
18	Copper Coated Electrode
19	Self-Threading Screw (03 x 19)
20	Ceramic Insulated Electrode
21	Clamp

ASSEMBLY DIAGRAM



NOTE: Some parts are listed and shown for illustration purposes only, and are not available individually as replacement parts.